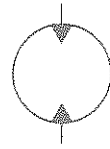
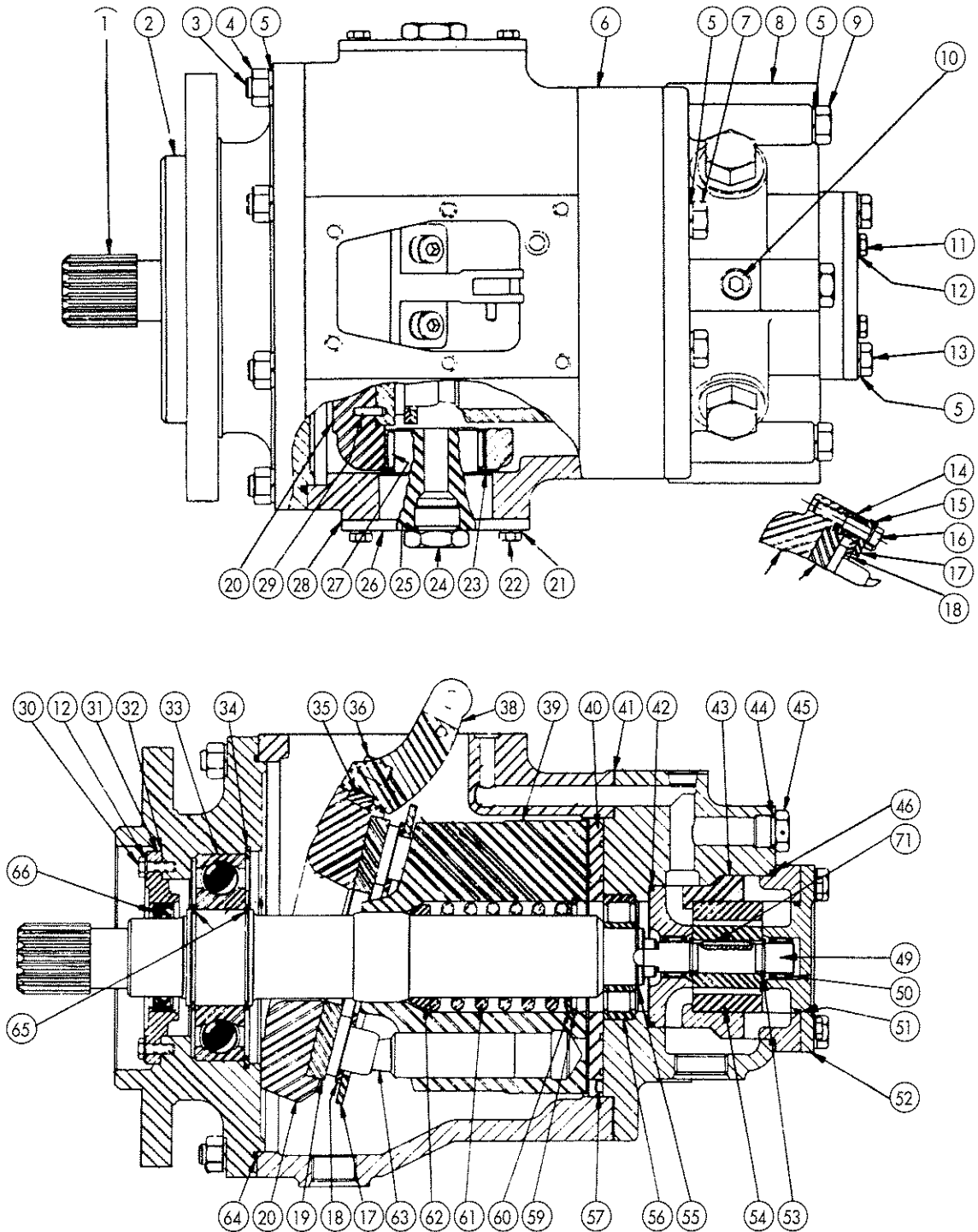




# DYNAPOWER



## DYNAPOWER MODEL 12.0 PHASE IV PISTON PUMP VALVE PLATE PARTS DRAWING





# DYNAPOWER

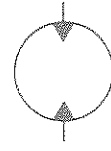


## DYNAPOWER MODEL 12.0 PHASE IV PISTON PUMP VALVE PLATE

REF. NO.	PART NO.	REQ. NO	DESCRIPTION
1	841863	1	Shaft
2	840933	1	Flange
3	840946	8	Stud
4	870568	8	Hex Nut
5	870494	20	Lock Washer
6	830192	3	Housing Assem.
7	870228	4	Cap Screw
8	841957	1	Cover
9	870228	4	Cap Screw
10	872495	1	Pipe Plug
11	870170	6	Cap Screw
12	870480	12	Lock Washer
13	870248	4	Cap Screw
14	840982	4	Spacer (See Kit B)
15	840981	4	Tab Lock Washer (See Kit B)
16	870213	4	Cap Screw
17	840980	1	Plate (See Kit B)
18	840964	1	Return Plate
19	840902	1	Wear Plate (See Kit B)
20	840919	1	Cam
21	870491	12	Lock Washer
22	870172	12	Cap Screw
23	840947	2	Thrust Bearing
24	872678	2	Plug
25	871212	2	O` Ring (See Kit C)
26	841061	2	Ported Trunnion
27	871186	2	Bearing
28	840948	2	Gasket (See Kit C)
29	870071	1	Roll Pin
30	870150	6	Cap Screw
31	830000	1	Seal Assem.- Includes Item 66 (See Kit A)
31A	830270	1	H.P. Seal Assy. See Kit E)
32	840008	1	Gasket (Seal Retainer) (See Kit A & C)
33	871184	1	Bearing
34	871950	1	Retaining Ring
35	840909	1	Key
36	870889	2	Cap Screw
38	830193	1	Lever Assem.
39	841950	1	Block Assem. (See Kit B)
40	841948	1	Valve Plate



# DYNAPOWER



## DYNAPOWER MODEL 12.0 PHASE IV PISTON PUMP VALVE PLATE

REF. NO.	PART NO.	REQ. NO.	DESCRIPTION
41	841961	1	Gasket (Cover)
42	871152	1	O` Ring (See Kit C)
43	830389	1	Plate Assem. - Includes (1) Item 50
44	871114	1	O` Ring (See Kit C)
45	840037	1	Plug
46	871155	1	O` Ring (See Kit C)
49	841930	1	Shaft
50	872825	2	Bearing
51	871145	1	O` Ring (See Kit C)
52	830388	1	Plate Assem. - Includes (1) Item 50
53	872826	2	Retaining Ring
54	830390	1	Gear Set
55	871947	1	Retaining Ring
56	871187	1	Bearing
57	870095	1	Pin
59	872854	1	Retaining Ring (See Kit B)
60	840276	1	Spring Retainer (See Kit B)
61	840997	1	Spring (See Kit B)
62	840973	1	Spring Retainer (See Kit B)
63	830700	9	Piston Assem. (See Kit B)
64	875271	1	Sq. Ring
65	871952	2	Retaining Ring
66	870106	1	Seal (See Kit C)
66A	878107	1	H.P. Seal (See Kit E)
67	840924	2	Plug
68	871212	2	O` Ring (See Kit C)
69	840999	2	Spring
70	840925	2	Plunger
71	841931	1	Key

### SERVICE KITS

REF. NO.	PART NO.	DESCRIPTION
A	894098	1 Shaft Seal Kit - Includes Items 31 & 32
B	894357	1 Rotating Group - Includes Items 14,15,16,17,18,19,39,59,60,61,62 & 63 "
C	894358	1 Packing Kit - Includes 25,28,32,41,45,44,46,51,64, 66 & 68
D	894278	1 Charge Pump Replacement Kit - Includes Items 11,12, 42,43,46,49,51,52,53,54 & 71
E	894252	1 Shaft Seal Kit - Includes Items 31 & 32