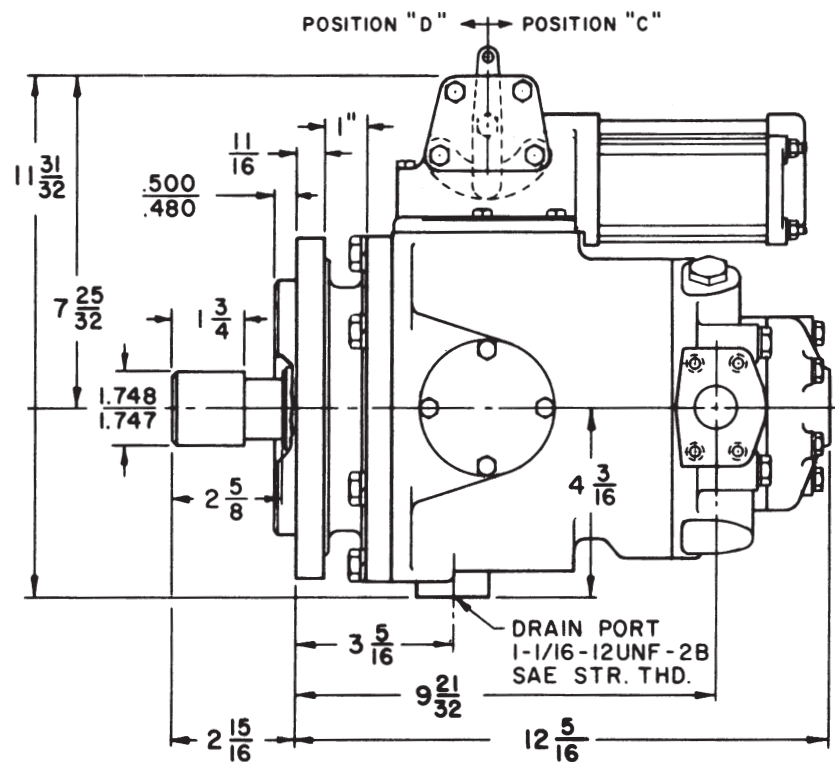


# DynaPower Phase III

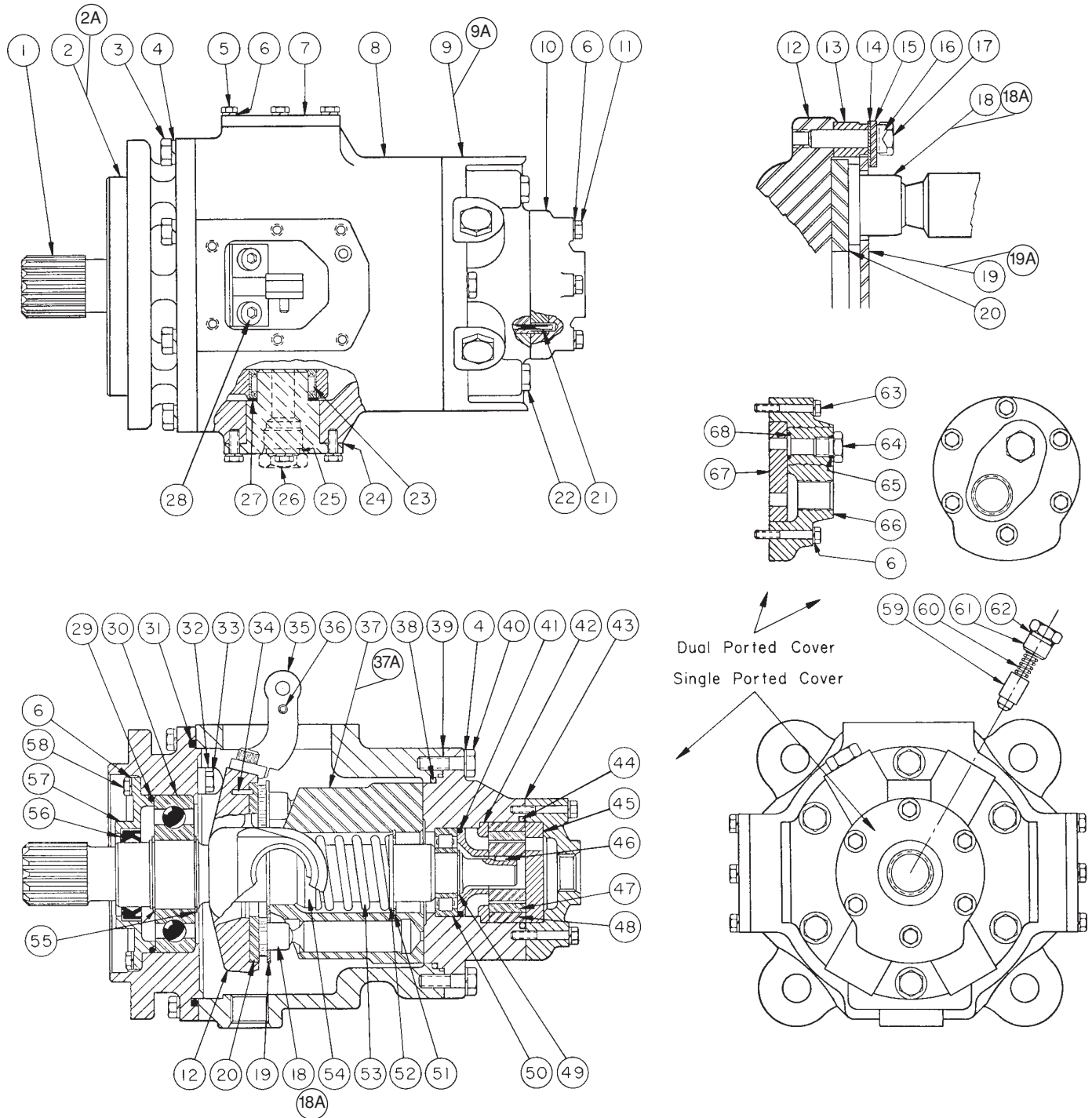
[Return to DYNAPOWER index](#)

[Return to MAIN index](#)





## DYNAPOWER MODEL 4.5 & 6.0 PHASE III VARIABLE PISTON PUMP PARTS DRAWING





# DYNAPOWER



## DYNAPOWER MODEL 4.5 & 6.0 PHASE III VARIABLE PISTON PUMP

REF. NO.	PART NO.	DESCRIPTION
1	841247	Shaft
2	841284	Flange - 15 Degrees 6.0 cubic inch
2A	841277	Flange - 14 Degrees 4.5 cubic inch
3	870194	Hex Bolt - 8 Req'd.
4	870492	Lock Washer - 14 Req'd.
5	870160	Hex Bolt - 8 Req'd.
6	870480	Lock Washer - 18 Req'd.
7	840756	Trunnion - Ported - 2 Req'd.
8	840024	Housing
9	841010	Cover 6.0
9A	840825	Cover 4.5
10	840120	Cover - CW Rot. (See Kit A Below)
	840117	Cover CCW Rot. (See Kit B Below)
11	870220	Hex Bolt - 6 Req'd
12	841185	Cam
13	841248	Spacer - 4 Req'd. (See Kit H Below)
14	850060	Bearing Plate - 2 Req'd. (See Kit H Below)
15	850061	Clip - 2 Req'd. (See Kit H Below)
16	841163	Tab Lock Washer - 4 Req'd. (See Kit H Below)
17	870181	Hex Bolt - 4 Req'd. (See Kit H Below)
18	830698	Piston Assem. 6.0 - 9 Req'd.
18A	830697	Piston Assem. 4.5 - 9 Req'd.
19	840898	Return Plate 6.0
19A	841225	Return Plate 4.5
20	841226	Wear Plate (See Kit H Below)
21	870092	Pin
22	870264	Hex Bolt - 4 Req'd.
23	870647	Bearing - 2 Req'd.
24	840031	Gasket - 2 Req'd.
25	875212	O'ring - 2 Req'd. (See Kit L Below)
26	872678	Plug - 2 Req'd.
27	840029	Bearing - 2 Req'd.
28	870888	Cap Screw - 2 Req'd.
29	875243	O'ring (See Kits K & L Below)
30	870642	Bearing



**DYNAPOWER 4.5 & 6.0 PHASE III VARIABLE PISTON PUMP**

REF. NO.	PART NO.	DESCRIPTION
31	875261	O'ring (See Kit L Below)
32	840165	Cam Stop - 0 Degrees
33	870162	Hex Bolt - 2 Req'd.
34	870045	Pin
35	840897	Lever Assem. (Includes Item 36)
36	840067	Pin
37	830314	Block Assem 6.0 (See Kit H Below)
37A	843334	Block Assem. 4.5 (See Kit M Below)
38	871158	O'ring (See Kits J & L Below)
39	840073	Gasket (See Kits J & L Below)
40	870194	Hex Bolt - 2 Req'd.
41	871140	O'ring (See Kits E, F, G & L Below)
42	840038	Valve (See Kits E, F & G Below)
43	870305	Gasket .001 Amber
	870306	Gasket .002 Red
	870307	Gasket .003 Green
	870308	Gasket .004 Blue
44	871231	O'ring (See Kits E, F, G & L Below)
45	840185	Plate (See Kit E Below)
46	871054	Pin (See Kits E, F & G Below)
47	830091	Rotor (See Kits E, F & G Below)
48	830041	Spacer Assem. (Includes Item 21) - See Kits E, F & G Below
49	870101	Retaining Ring
50	870648	Bearing
51	870103	Retaining Ring (See Kit H Below)
52	840023	Spring Retainer (See Kit H Below)
53	840022	Spring (See Kit H Below)
54	840021	Spring Retainer (See Kit H Below)
55	870102	Retaining Ring - 2 Req'd.
56	870106	Seal (See Kits K & L Below)
57	830231	Seal Assem. (Includes Item 56) - See Kit H Below
58	870150	Hex Bolt - 4 Req'd.
59	840035	Plunger - 2 Req'd. (See Kit J Below)
60	840036	Spring - 2 Req'd. (See Kit J Below)
61	840037	Plug - 2 Req'd. (See Kit J Below)

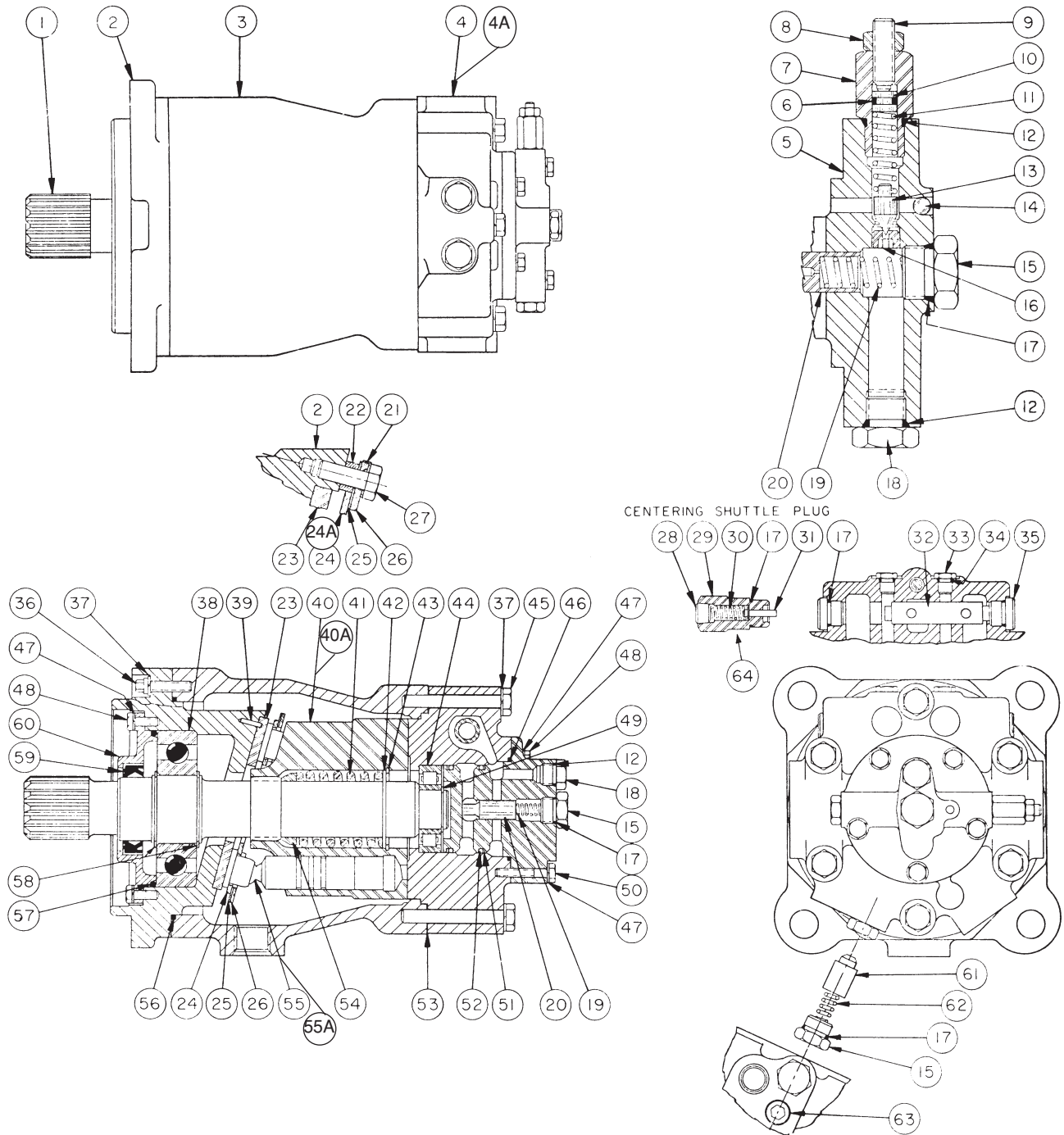


**DYNAPOWER 4.5 & 6.0 PHASE III VARIABLE PISTON PUMP**

REF. NO.	PART NO.	DESCRIPTION
62	875114	O'ring - 2 Req'd. (See Kits J & L Below)
63	870230	Hex Bolt - 6 Req'd. (See Kits C & D Below)
64	872675	Plug
65	875014	O'ring (See Kit L Below)
66	840381	Cover - CW (See Kit L Below)
	840354	Cover - CCW (See Kit D Below)
67	840353	Plate - CW (See Kits C & F Below)
	840352	Plate - CCW (See Kits D & G Below)
68	871021	O'ring (See Kits C, D, F, G & L Below)
<b>SERVICE KITS</b>		
REF. NO.	PART NO.	DESCRIPTION
A	894002	Single Port Charge Pump Cover - CW Rot. - Includes Items 10 & 43
B	894003	Single Port Charge Pump Cover - CCW Rot. - Includes Items 10 & 43
C	894004	Dual Port Charge Pump Cover - CW Rot. Includes Items 43, 63, 66, 67 & 68
D	894005	Dual Port Charge Pump Cover - CCW Rot. Includes Items 43, 63, 66, 67 & 68
E	894012	Charge Pump Replacement - Single Port Includes Items 41, 42, 43, 44, 45, 46, 47 & 48
F	894147	Charge Pump Replacement - Dual Port - CW Rot. - Includes Items 41, 42, 43, 44, 46, 47, 48, 67 & 68
G	894148	Charge Pump Replacement - Dual Port - CCW Rot. - Includes Items 41, 42, 43, 44, 46, 47, 48, 67 & 68
H	894190	6.0 Rotating Group Includes Items 13, 14, 15, 16, 17, 18, 19, 20, 37, 51, 52, 53 & 54
J	894151	Pump Cover - Includes Items 9, 38, 39, 59, 60, 61 & 62
K	894192	Shaft Seal - Includes Items 29 & 57
L	894193	Seal Kit - Includes Items 24, 25, 29, 31, 38, 39, 41, 43, 44, 56, 65 & 68
M	894190	4.8 Rotating Group - Includes Items 13, 14, 15, 16, 17, 18A, 19A, 20, 37, 51, 53 & 54"



## DYNAPOWER MODEL 4.8 & 6.0 PHASE III FIXED MOTOR PARTS DRAWING





**DYNAPOWER MODEL 4.8 & 6.0 PHASE III FIXED MOTOR**

REF. NO.	PART NO.	REQ. NO	DESCRIPTION
1	841190	1	Shaft
2	841186	1	Flange
3	841188	1	Housing
4	840245	1	Cover 4.8
4A	840889	1	Cover 6.0
5	830228	1	Body Assem. (Includes Items 14 & 16) See Kit C
6	871010	1	O` Ring (See Kits C & E)
7	841279	1	Spring Seat (See Kit C)
8	870563	1	Hex Nut (See Kit C)
9	872732	1	Screw (See Kit C)
10	841278	1	Spring Seat (See Kit C)
11	841255	1	Spring (See Kit C)
12	875014	3	O` Ring (See Kits C & E)
13	840811	1	Valve (See Kit C)
14	872305	1	Ball
15	840037	2	Plug (See Kit C)
16	840975	1	Seat
17	875114	4	“(See Kits C, D, & E)”
18	872675	2	Plug (See Kit C)
19	840138	1	Spring (See Kit C)
20	841180	1	Plunger (See Kit C)
21	841163	4	Tab Lock Washer (See Kit A)
22	841321	4	(See Kit A)
23	841226	1	Wear Plate
24	841225	1	Return Plate 4.8
24A	840898	1	Return Plate 6.0
25	850060	2	Bearing Plate (See Kit A)
26	850061	2	Clip (See Kit A)
27	870151	4	Hex Bolt (See Kit A)
28	870111	2	Plug
29	841151	2	Plug
30	840356	2	Spring
31	840357	2	Plunger
32	830219	1	Valve Assem. (See Kits D & F)
33	840146	2	Plug
34	875012	2	O` Ring (See Kits E)
35	841113	2	Plug
36	872734	8	Screw
37	870492	14	Lock Washer
38	870642	1	Bearing



**DYNAPOWER MODEL 4.8 & 6.0 PHASE III FIXED MOTOR**

REF. NO.	PART NO.	REQ. NO	DESCRIPTION
39	870045	1	Pin
40	843334	1	Block Assem. 4.8
40A	830314	1	Block 6.0
41	840022	1	Spring (See Kit A)
42	840023	1	Spring Retainer (See Kit A)
43	870103	1	Retaining Ring (See Kit A)
44	870648	1	Bearing
45	870264	6	Hex Bolt
46	871146	1	O` Ring (See Kits C & E)
47	870480	9	Lock Washer (See Kit C)
48	870150	6	Hex Bolt (See Kit C)
49	870101	1	Retaining Ring
50	870210	3	(See Kit C)
51	870653	2	Back - Up Ring (See Kit C& E)
52	871140	2	(See Kits C & E)
53	840073	1	Gasket (See Kit E)
54	840021	1	Spring Retainer (See Kit A)
55	830697	9	Piston Assem. 4.8
55A	830698	1	Piston Assem. 6.0
56	875163	1	O` Ring (See Kit E)
57	875243	1	O`Ring (See Kits B & E)
58	870102	2	Retaining Ring
59	870106	1	Seal (See Kit E)
60	830231	1	Seal Assem. (Includes Item 59) See Kit B
61	840035	1	Plunger
62	840134	1	Spring
63	872495	1	Plug
64	830261	2	Valve Assem. (See Kit F) Includes Items 17,2829,30&31

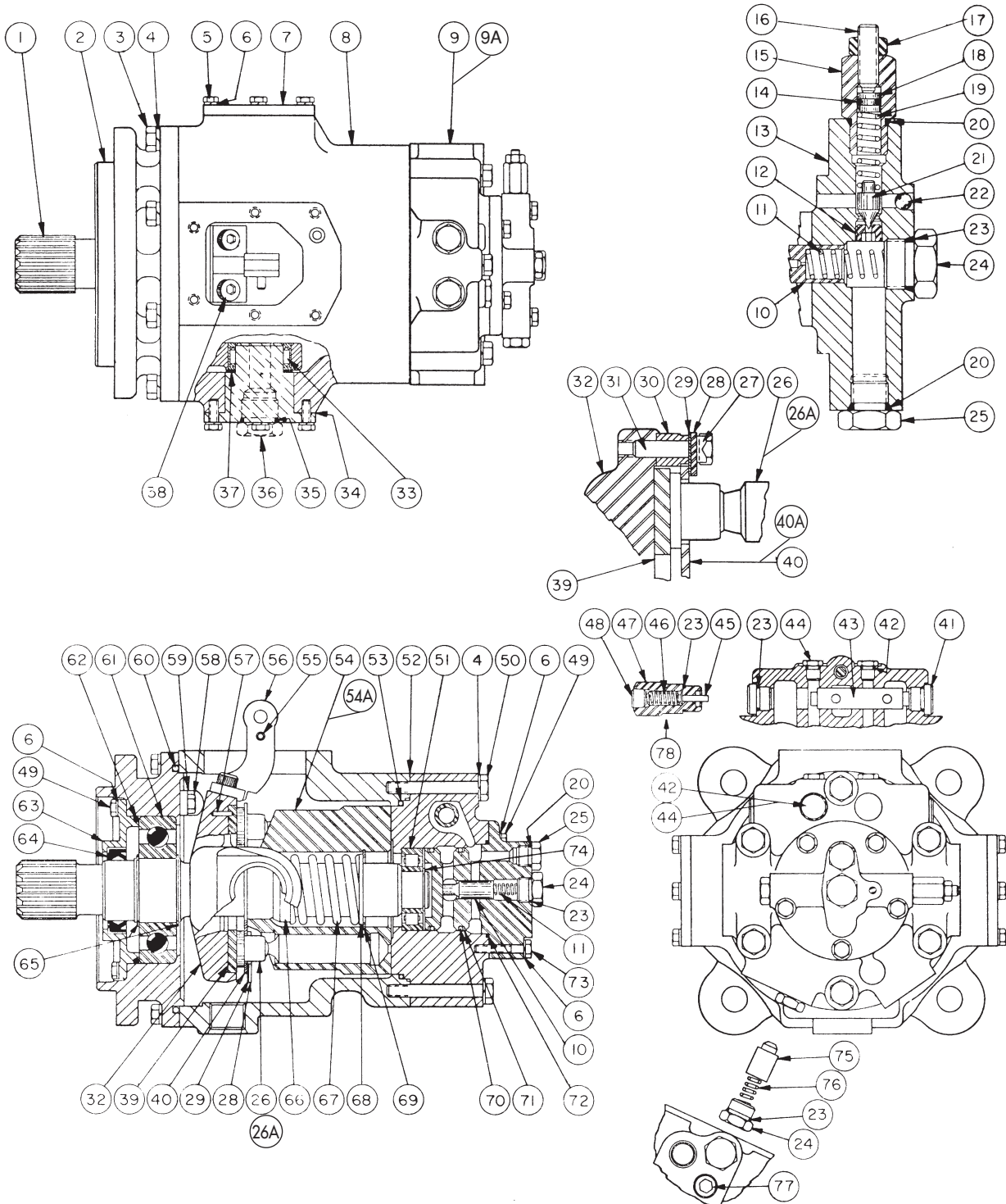
**SERVICE KITS**

REF. NO.	PART NO.	DESCRIPTION
A	894195	4.8 Rotating Group - Includes Items 21,22,23,24,25,26,27,40A1,42,43,54 & 55
B	894192	Shaft Seal - Includes Items 57 & 60
C	894170	Relief Valve Package - Includes Items 5,6,7,8,9,10,11,12,13,15,17,18,19,20,46,47,48,50,51 &52
D	894140	Shuttle Valve - Includes Items 17, 32& 35
E	894158	Centering Shuttle Valve - Includes Items 32 &64
F	894197	Seal Kit- Includes items 6,12,17,34,46,51,52,53,56,57 &59
G	894196	6.0 Rotating Group - Includes Items 21,22,23,24A,25,26,27,40A,41,42,45,54,55A





## DYNAPOWER MODEL 4.8 AND 6.0 PHASE III VARIABLE PISTON MOTOR PARTS DRAWING





**DYNAPOWER MODEL 4.8 & 6.0 PHASE III VARIABLE PISTON MOTOR**

REF. NO.	PART NO.	DESCRIPTION
1	841267	Shaft
2	841284	Flange
3	870194	Hex Bolt - 8 Req'd.
4	870492	Lock Washer - 14 Req'd.
5	870160	Hex Bolt - 8 Req'd.
6	870480	Lock Washer - 17 Req'd. (See Kit C)
7	840756	Ported Trunnion - 2 Req'd.
8	840024	Housing
9	840650	Cover 4.8
9A	841114	Cover 6.0
10	841180	Plunger (See Kit C)
11	840138	Spring (See Kit C)
12	840975	Seat
13	830228	Body Assy. (Includes Items 12 & 22 - See Kit C)
14	871010	O'ring (See Kits C & F)
15	841279	Spring Seat (See Kit C)
16	872732	Screw (See Kit C)
17	870563	Nut (See Kit C)
18	841278	Spring Seat (See Kit C)
19	841255	Spring (See Kit C)
20	871014	Sq. Ring - 3 Req'd. (See Kits C & F)
21	840811	Valve (See Kit C)\
22	872305	Ball
23	871114	"Sq. Ring - 4 Req'd. (See Kits C, D & F)"
24	840037	Plug - 2 Req'd. (See Kit C)
25	872675	Plug - 2 Req'd. (See Kit C)
26	830697	Piston Assem. 4.8 - 9 Req'd. (See Kit A)
26A	830698	Piston Assem. 6.0 - 9 Req'd. (See Kit A)
27	841163	Tab Lock Washer - 4 Req'd. (See Kit A)
28	850061	Clip - 2 Req'd. (See Kit A)
29	850060	Bearing Plate - 2 Req'd. (See Kit A)
30	841248	Spacer - 4 Req'd. (See Kit A)
31	870181	Hex Bolt - 4 Req'd. (See Kit A)
32	841185	Cam )
33	870647	Bearing - 2 Req'd.
34	840031	Gasket - 2 Req'd. (See Kit F)



# DYNAPOWER



## DYNAPOWER MODEL 4.8 & 6.0 PHASE III VARIABLE PISTON MOTOR

REF. NO.	PART NO.	DESCRIPTION
35	871212	O'ring - 2 Req'd. (See Kit F)
36	872678	Plug - 2 Req'd.
37	840029	Bearing - 2 Req'd.
38	870888	Cap Screw - 2 Req'd.
39	841226	Wear Plate
40	841225	Return plate 4.8
40A	840898	Return plate 6.0
41	841113	Plug - 2 Req'd. (See Kit D)
42	871012	Sq. Ring - 3 Req'd. (See Kit F)
43	830219	Valve Assem. (See Kits D & E)
44	840146	Plug - 3 Req'd.
45	840357	Plunger - 2 Req'd.
46	840356	Spring - 2 Req'd.
47	841151	Plug - 2 Req'd.
48	870111	Plug - 2 Req'd.
49	870150	Hex Bolt - 6 Req'd. (See Kit C)
50	870264	Hex Bolt - 6 Req'd.
51	870648	Bearing
52	840073	Gasket (See Kit F)
53	871158	O'ring (See Kit F)
54	843334	Block Assem. (See Kit A)
54A	830314	See Kit G
55	840067	Pin
56	840897	Lever Assem. (Includes Item 55)
57	870045	Pin
58	870162	Hex Bolt - 2 Req'd.
59	840165	Cam Stop - 0 Degrees
	840170	Cam Stop - 5 Degrees
	840172	Cam Stop - 7 Degrees
	840175	Cam Stop - 10 Degrees
60	875261	Sq. Ring (See Kit F)
61	870642	Bearing
62	875243	Sq. Ring (See Kits B & F)
63	830231	Seal Assem. (Includes Item 64 - See Kit B)
64	870106	Seal (See Kit F)
65	870102	Retaining Ring - 2 Req'd.



**DYNAPOWER MODEL 4.8 & 6.0 PHASE III VARIABLE PISTON MOTOR**

REF. NO.	PART NO.	DESCRIPTION
66	840021	Spring Retainer (See Kit A)
67	840022	Spring (See Kit A)
68	840023	Spring Retainer (See Kit A)
69	870103	Retaining Ring (See Kit A)
70	871140	O'ring - 2 Req'd. (See Kits C & F)
71	870653	Back-up Ring - 2 Req'd. (See Kits C & F)
72	871146	O'ring (See Kits C & F)
73	870210	Hex Bolt - 3 Req'd. (See Kit C)
74	870101	Retaining Ring
75	840035	Plunger
76	840134	Spring
77	872495	Plug
78	830261	"Valve Assem. - 2 Req'd. (Includes Items 23, 45, 46, 47 & 48 - See Kit E)"

**SERVICE KITS**

REF. NO.	PART NO.	DESCRIPTION
A	894190	4.8 Rotating Group - Includes Items 26, 27, 28, 29, 30, 31, 39, 40, 54, 66, 67, 68 & 69
B	894192	Shaft Seal - Includes Items 62 & 63
C	894170	Relief Valve Package - Includes Items 6,10,11,13, 14, 15, 16, 17, 18, 19, 20, 21, 23, 24, 25, 49, 70, 71, 72 & 73
D	894140	Shuttle Valve - Includes Items 23, 41 & 43
E	894158	Centering Shuttle Valve - Includes Items 43 & 78
F	894194	Seal Kit - Includes Items 14, 20, 23, 34, 35, 42, 52, 53, 60, 62, 64, 70, 71 & 72
G	894191	6.0 Rotating Group - Includes Items 26A, 27, 28, 29, 30, 31, 39, 40A, 54A, 66, 67, 68 & 69