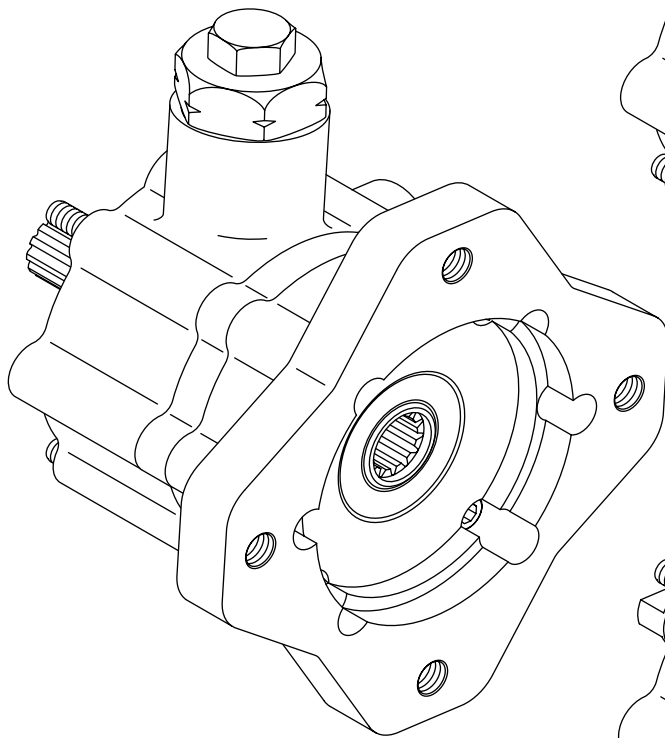
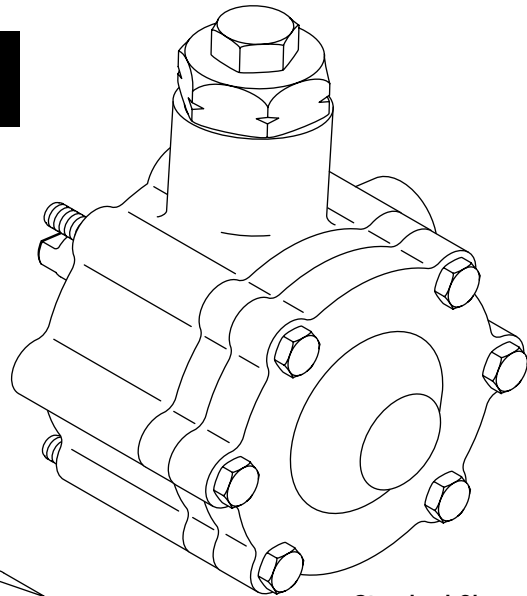




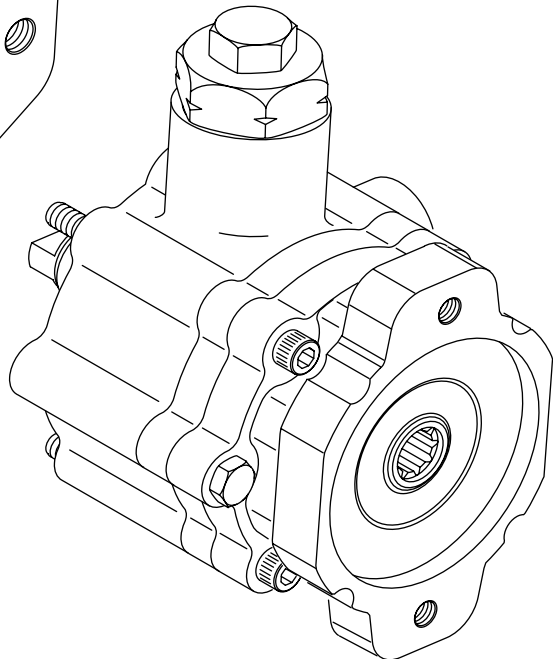
Parts Information



B-Pad Charge Pump



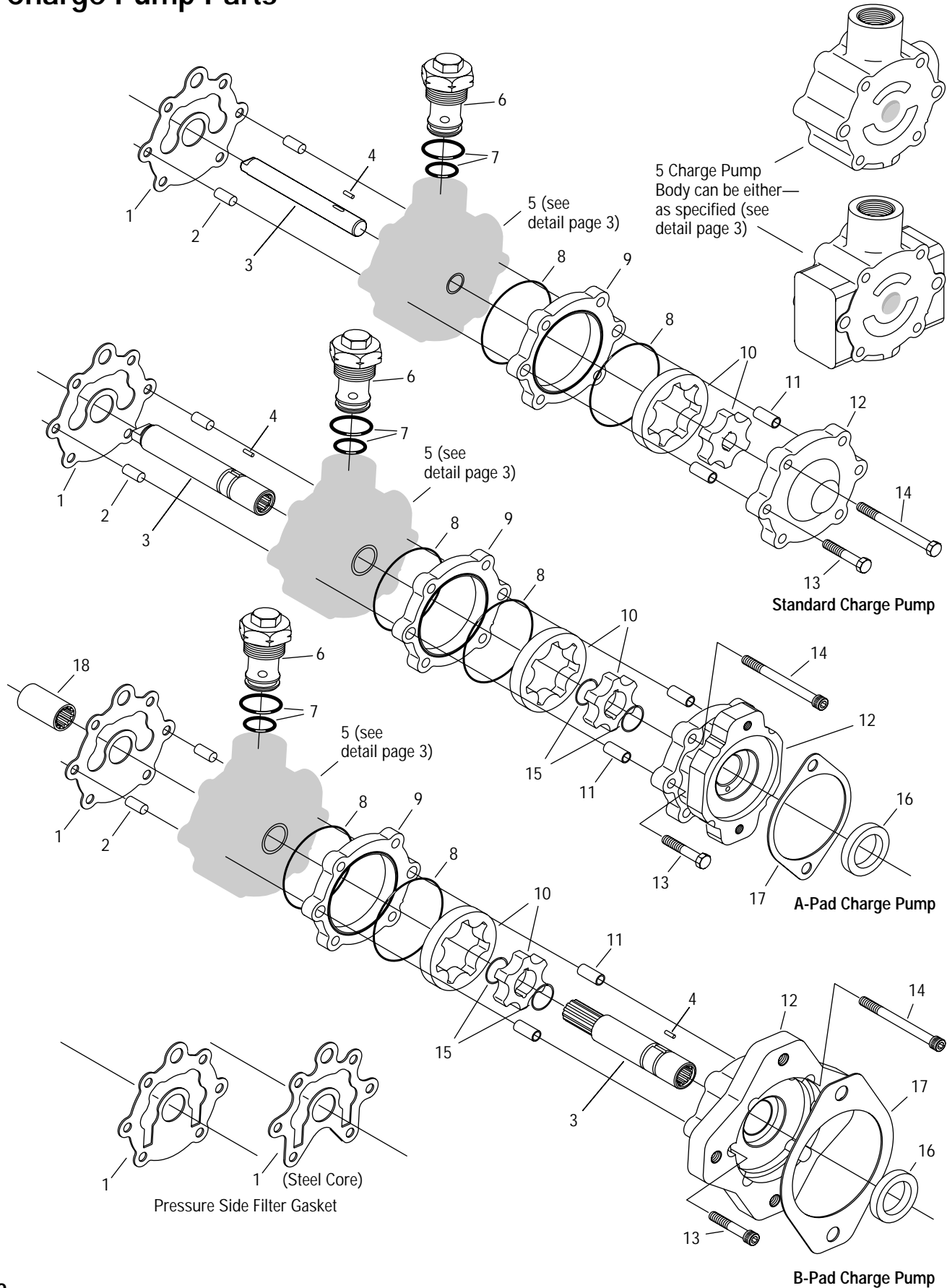
Standard Charge Pump



A-Pad Charge Pump

**Standard Charge Pump,
A-Pad and B-Pad Charge Pumps**

Charge Pump Parts



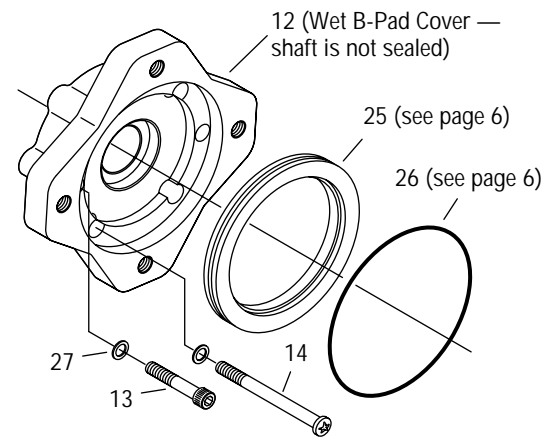
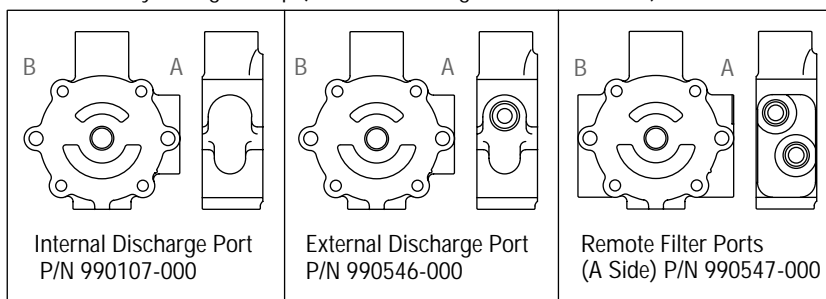
| Ref. No. | Part Number Standard C/P | A-Pad C/P | B-Pad C/P | Description | Quantity Per Unit |
|----------|--------------------------|------------|------------|--|-------------------|
| 1 | 101179-000 | 101179-000 | 101179-000 | Gasket | 1 |
| | — | 103020-000 | 103020-000 | Gasket (pressure side filter) | 1 |
| | — | 105106-000 | 105106-000 | Gasket, Steel Core (pressure side filter) | 1 |
| 2 | 98202-000 | 98202-000 | 98202-000 | Dowel, Solid | 2 |
| 3 | * | * | * | Shaft | 1 |
| 4 | * | * | * | Pin, Drive | 1 |
| 5 | † | † | † | Body w/Bearing or w/Bushing | 1 |
| 6 | * | * | * | Valve, Relief (low pressure) | 1 |
| 7 | 990104-000 | 990104-000 | 990104-000 | O-rings (kit) (for relief valve) | 1 |
| 8 | 102574-000 | 102574-000 | 102574-000 | O-ring | 2 |
| 9 | * | * | * | Spacer | 1 |
| 10 | * | * | * | Gerotor | 1 |
| 11 | * | * | * | Dowel, Hollow | 2 |
| 12 | 990106-000 | | | Cover w/Bearing | 1 |
| | | 990364-000 | 990345-000 | Cover w/Bushing — Dry (includes shaft seal, ref. no. 16) | 1 |
| | | 990482-000 | 990599-000 | Cover w/Bushing — Wet | 1 |
| 13 | * | * | * | Bolt | 2 |
| 14 | * | * | * | Bolt, Mounting | 4 |
| 15 | | 102853-000 | 102853-000 | Ring, Retaining | 2 |
| 16 | | 102561-000 | 103357-000 | Seal, Shaft | 1 |
| 17 | | 102930-000 | 102919-000 | Gasket | 1 |
| 18 | | | 103365-000 | Coupling, Splined | 1 |

(Continued on Page 6)

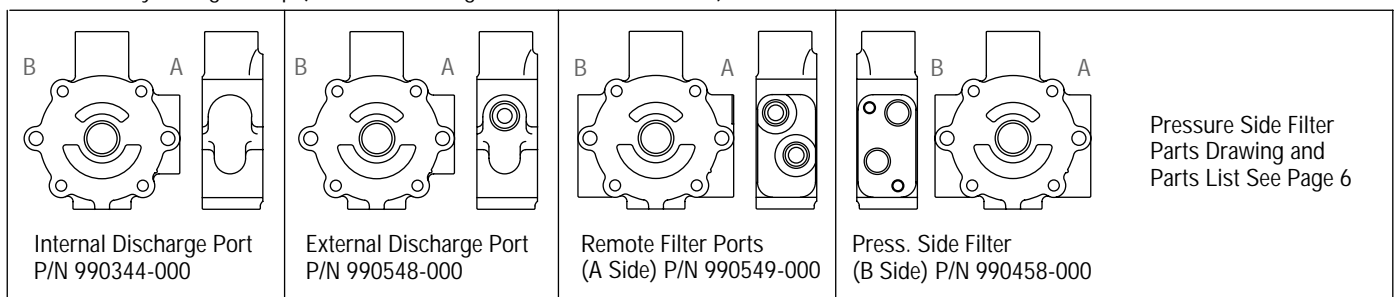
* See Charts Page 4

† See Body, Charge Pump (below)

Item 5 — Body, Charge Pump (Bore and Bearing for Standard Shaft)



Item 5 — Body, Charge Pump (Bore and Bushing for A-Pad or B-Pad Shaft)



Charge Pump Parts List

Standard Charge Pump

| Ref. No. | Description | 13,9 [.85] | | 21,0 [1.28] | | 27,9 [1.70] | | 34,7 [2.12] | |
|----------|----------------|-------------|------------|-------------|------------|-------------|------------|-------------|------------|
| | | Part Number | Size** | Part Number | Size** | Part Number | Size** | Part Number | Size** |
| 3 | Shaft | 101006-000 | 142 [5.60] | 101007-000 | 147 [5.80] | 101008-000 | 155 [6.10] | 106567-212 | 161 [6.34] |
| 4 | Pin, Drive | 101305-000 | 10 [.39] | 101311-000 | 15 [.60] | 101312-000 | 22 [.85] | 106529-000 | 28 [1.10] |
| 9 | Spacer | 101016-000 | 13 [.50] | 101017-000 | 19 [.75] | 101018-000 | 25 [1.00] | 106518-000 | 32 [1.25] |
| 10 | Gerotor | 22255-003 | 13 [.50] | 22255-005 | 19 [.75] | 22255-007 | 25 [1.00] | 23397-008 | 32 [1.25] |
| 11 | Dowel, Hollow | 95660-000 | 25 [1.00] | 98011-000 | 32 [1.25] | 98012-000 | 38 [1.50] | 106539-000 | 44 [1.75] |
| 13 | Bolt | 95862-175 | 44 [1.75] | 95862-200 | 51 [2.00] | 95862-225 | 57 [2.25] | 95862-250 | 63 [2.50] |
| 14 | Bolt, Mounting | 105663-350 | 89 [3.50] | 105663-375 | 95 [3.75] | 105663-400 | 102 [4.00] | 105663-425 | 108 [4.25] |

A-Pad Charge Pump

| Ref. No. | Description | 13,9 [.85] | | 21,0 [1.28] | | 27,9 [1.70] | | 34,7 [2.12] | |
|----------|----------------|-------------|------------|-------------|------------|-------------|------------|-------------|------------|
| | | Part Number | Size** | Part Number | Size** | Part Number | Size** | Part Number | Size** |
| 3 | Shaft | 103249-085 | 152 [6.00] | 103249-128 | 160 [6.30] | 103249-170 | 119 [4.70] | 103249-212 | 170 [6.41] |
| 4 | Pin, Drive | 101305-000 | 10 [.39] | 101311-000 | 15 [.60] | 101312-000 | 22 [.85] | 106529-000 | 28 [1.10] |
| 9 | Spacer | 101016-000 | 13 [.50] | 101017-000 | 19 [.75] | 101018-000 | 25 [1.00] | 106518-000 | 32 [1.25] |
| 10 | Gerotor | 22258-003 | 13 [.50] | 22258-005 | 19 [.75] | 22258-007 | 25 [1.00] | 23396-008 | 32 [1.25] |
| 11 | Dowel, Hollow | 95660-000 | 25 [1.00] | 98011-000 | 32 [1.25] | 98012-000 | 38 [1.50] | 106539-000 | 44 [1.75] |
| 13 | Bolt | 95862-175 | 44 [1.75] | 95862-200 | 51 [2.00] | 95862-225 | 57 [2.25] | 95862-250 | 63 [2.50] |
| 14 | Bolt, Mounting | 95912-350 | 89 [3.50] | 95912-375 | 95 [3.75] | 95912-400 | 102 [4.00] | 95912-425 | 108 [4.25] |

B-Pad Charge Pump

| Ref. No. | Description | 13,9 [.85] | | 21,0 [1.28] | | 27,9 [1.70] | | 34,7 [2.12] | |
|----------|----------------|-------------|------------|-------------|------------|-------------|------------|-------------|------------|
| | | Part Number | Size** | Part Number | Size** | Part Number | Size** | Part Number | Size** |
| 3 | Shaft | 103358-085 | 107 [4.20] | 103358-128 | 147 [5.80] | 103358-170 | 119 [4.70] | 103358-212 | 126 [4.95] |
| 4 | Pin, Drive | 101305-000 | 10 [.39] | 101311-000 | 15 [.60] | 101312-000 | 22 [.85] | 106529-000 | 28 [1.10] |
| 9 | Spacer | 101016-000 | 13 [.50] | 101017-000 | 19 [.75] | 101018-000 | 25 [1.00] | 106518-000 | 32 [1.25] |
| 10 | Gerotor | 22258-003 | 13 [.50] | 22258-005 | 19 [.75] | 22258-007 | 25 [1.00] | 23396-008 | 32 [1.25] |
| 11 | Dowel, Hollow | 95660-000 | 25 [1.00] | 98011-000 | 32 [1.25] | 98012-000 | 38 [1.50] | 106539-000 | 44 [1.75] |
| 13 | Bolt | 95912-175 | 44 [1.75] | 95912-200 | 51 [2.00] | 95912-225 | 57 [2.25] | 95912-250 | 63 [2.50] |
| 14 | Bolt, Mounting | 95912-350 | 89 [3.50] | 95912-375 | 95 [3.75] | 95912-400 | 102 [4.00] | 95912-425 | 108 [4.25] |
| | Bolt, Mtg.*** | 107019-350 | 89 [3.50] | 107019-375 | 95 [3.75] | 107019-400 | 102 [4.00] | 107019-425 | 108 [4.25] |

**Size (length or width) is for part identification. It is a nominal dimension of the part that is affected by charge pump displacement. Part length or width is given in millimeter [inch].

***Pan Head Mounting Bolt for Wet B-Pad only (sealing washer required — see ref. no. 27 page 6)

Charge Pump Kits and Subassemblies

Each charge pump kit contains a charge pump subassembly, four mounting bolts, two dowels, and a gasket. If a charge pump subassembly is ordered it will be necessary to order mounting bolts, dowels, and a gasket.

The three x's that follow each charge pump and subassembly number indicate the pressure setting of the relief valve. Multiply this three digit number by ten to find the pressure setting in PSI.

Example: 022 X 10 = 220 PSI (see relief valve chart lower right for pressure setting and part number cross reference).

Standard Charge Pump

| Kit No. | Subassembly | Displ. | Rotation/Features |
|------------|-------------|-------------|-------------------------|
| 990006-xxx | 101000-xxx | 13,9 [.85] | CCW |
| 990007-xxx | 101001-xxx | 13,9 [.85] | CW |
| 990008-xxx | 101002-xxx | 21,0 [1.28] | CCW |
| 990009-xxx | 101003-xxx | 21,0 [1.28] | CW |
| 990010-xxx | 101004-xxx | 27,9 [1.70] | CCW |
| 990011-xxx | 101005-xxx | 27,9 [1.70] | CW |
| 990433-xxx | 101353-xxx | 13,9 [.85] | CW w/Aux. Pres. Port |
| 990434-xxx | 101587-xxx | 13,9 [.85] | CCW w/Aux. Pres. Port |
| 990437-xxx | 101588-xxx | 21,0 [1.28] | CCW w/Aux. Pres. Port |
| 990438-xxx | 101589-xxx | 21,0 [1.28] | CW w/Aux. Pres. Port |
| 990441-xxx | 101590-xxx | 27,9 [1.70] | CCW w/Aux. Pres. Port |
| 990443-xxx | 101591-xxx | 27,9 [1.70] | CW w/Aux. Pres. Port |
| 990617-xxx | 107161-xxx | 34,7 [2.12] | CCW w/Aux. Pres. Port |
| 990598-xxx | 106532-xxx | 34,7 [2.12] | CW w/Aux. Pres. Port |
| 990435-xxx | 103049-xxx | 13,9 [.85] | CCW Remote Filter Ports |
| 990439-xxx | 103066-xxx | 21,0 [1.28] | CCW Remote Filter Ports |
| 990598-xxx | 105553-xxx | 27,9 [1.70] | CCW Remote Filter Ports |
| 990440-xxx | 103678-xxx | 21,0 [1.28] | CW Remote Filter Ports |

A-Pad Charge Pump

| | | | |
|------------|------------|-------------|------------------------|
| 990612-xxx | 105119-xxx | 13,9 [.85] | CCW w/Aux. Pres. Port |
| 990352-xxx | 103342-xxx | 13,9 [.85] | CW |
| 990353-xxx | 103343-xxx | 13,9 [.85] | CCW |
| 990354-xxx | 103344-xxx | 21,0 [1.28] | CW |
| 990355-xxx | 103345-xxx | 21,0 [1.28] | CCW |
| 990446-xxx | 103470-xxx | 21,0 [1.28] | CW w/Aux. Pres. Port |
| 990356-xxx | 103346-xxx | 27,9 [1.70] | CW |
| 990357-xxx | 103347-xxx | 27,9 [1.70] | CCW |
| 990449-xxx | 103472-xxx | 27,9 [1.70] | CW Remote Filter Ports |
| 990600-xxx | 107950-xxx | 34,7 [2.12] | CCW w/Aux. Pres. Port |
| 990610-xxx | 104756-xxx | 27,9 [1.70] | CCW w/Aux. Pres. Port |
| 990611-xxx | 105189-xxx | 21,0 [1.28] | CCW w/Aux. Pres. Port |

B-Pad Charge Pump

| | | | |
|------------|------------|-------------|-----------------------|
| 990346-xxx | 103336-xxx | 13,9 [.85] | CW |
| 990347-xxx | 103337-xxx | 13,9 [.85] | CCW |
| 990348-xxx | 103338-xxx | 21,0 [1.28] | CW |
| 990349-xxx | 103339-xxx | 21,0 [1.28] | CCW |
| 990447-xxx | 103441-xxx | 21,0 [1.28] | CW w/Aux. Pres. Port |
| 990448-xxx | 103444-xxx | 21,0 [1.28] | CCW w/Aux. Pres. Port |
| 990350-xxx | 103340-xxx | 27,9 [1.70] | CW |
| 990351-xxx | 103341-xxx | 27,9 [1.70] | CCW |
| 990603-xxx | 106534-xxx | 34,7 [2.12] | CW |

Wet B-Pad Charge Pump Kits (see page 6)

Displacement Conversion Kits

Each conversion kit contains:

Ref.

| | |
|------------------|-----------------------|
| No. | 9. Spacer (1) |
| 1. Gasket (1) | 10. Gerotor (1) |
| 3. Shaft (1) | 11. Hollow Dowels (2) |
| 4. Drive Pin (1) | 13. Bolts (2) |
| 8. O-rings (2) | 14. Mtg. Bolts (4) |

Standard Charge Pump

| Displ. | Kit No. |
|-------------|------------|
| 13,9 [.85] | 990025-000 |
| 21,0 [1.28] | 990026-000 |
| 27,9 [1.70] | 990027-000 |
| 34,7 [2.12] | 990619-000 |

A-Pad Charge Pump

| Displ. | Kit No. |
|-------------|------------|
| 13,9 [.85] | 990310-000 |
| 21,0 [1.28] | 990311-000 |
| 27,9 [1.70] | 990312-000 |
| 34,7 [2.12] | 990620-000 |

B-Pad Charge Pump

| Displ. | Kit No. |
|-------------|------------|
| 13,9 [.85] | 990379-000 |
| 21,0 [1.28] | 990380-000 |
| 27,9 [1.70] | 990381-000 |
| 34,7 [2.12] | 990621-000 |

Low Pressure Relief Valves Part Numbers and pressure Relief Settings

Ref. No. 6 — Low Pressure Relief Valve

| Pressure Setting Bar [PSI] | Relief Valve S/A No. |
|-------------------------------|-------------------------|
| 15 [220] | 101048-022 |
| 17 [240] | 101048-024 |
| 18 [260] | 101048-026 |
| 19 [280] | 103072-028 |
| 21 [300] | 103072-030 |
| 23 [340] | 103072-034 |
| 24 [350] | 103072-035 |
| 26 [380] | 103072-038 |

Charge Pump Kits

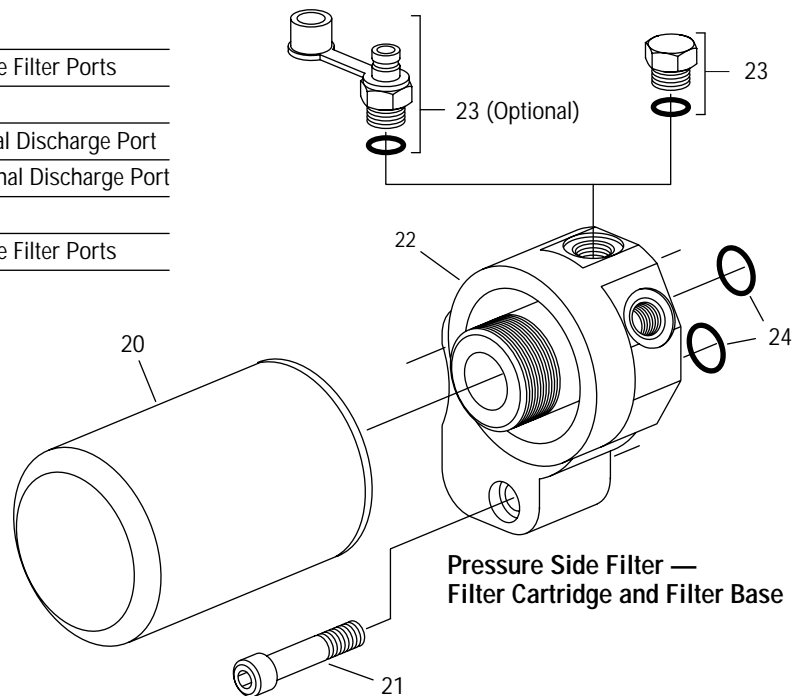
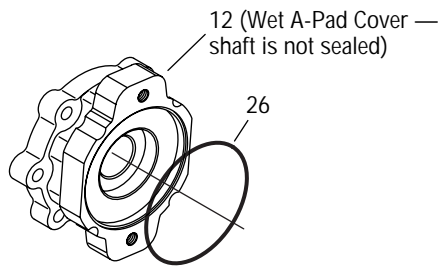
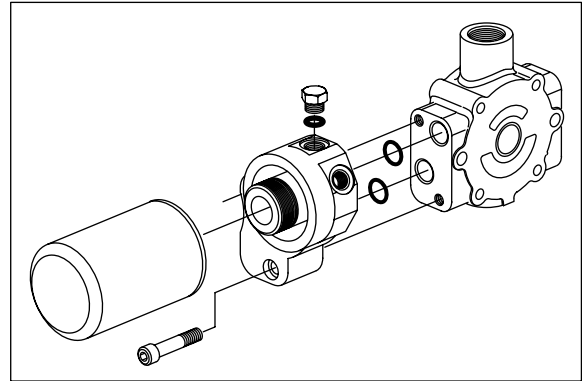
(Charge Pump Kits and Subassemblies Continued)

Wet A-Pad Charge Pump

| Kit No. | Subassembly | Displ. | Rotation/Features |
|------------|-------------|-------------|-----------------------------|
| 990843-xxx | 111343-xxx | 13,9 [.85] | CCW |
| 990844-xxx | 110164-xxx | 21,0 [1.28] | CW External Discharge Port |
| 990845-xxx | 111226-xxx | 21,0 [1.28] | CCW External Discharge Port |
| 990846-xxx | 109704-xxx | 21,0 [1.28] | CW Remote Filter Ports |
| 990847-xxx | 110086-xxx | 27,9 [1.70] | CW External Discharge Port |
| 990848-xxx | 110540-xxx | 27,9 [1.70] | CCW External Discharge Port |

Wet B-Pad Charge Pump

| | | | |
|------------|------------|-------------|-----------------------------|
| 990627-xxx | 107777-xxx | 21,0 [1.28] | CW Remote Filter Ports |
| 990629-xxx | 107227-xxx | 21,0 [1.28] | CW |
| 990630-xxx | 107500-xxx | 21,0 [1.28] | CW External Discharge Port |
| 990631-xxx | 107978-xxx | 21,0 [1.28] | CCW External Discharge Port |
| 990632-xxx | 108629-xxx | 27,9 [1.70] | CW |
| 990628-xxx | 108364-xxx | 27,9 [1.70] | CW Remote Filter Ports |



| Ref. No. | A-Pad C/P | A-Pad (Wet) C/P | B-Pad C/P | B-Pad (Wet) C/P* | Description | Quantity Per Unit |
|----------|------------|-----------------|------------|------------------|--------------------------------------|-------------------|
| 20 | 104508-005 | 104508-005 | 104508-005 | 104508-005 | Filter | 1 |
| 21 | 95912-175 | 95912-175 | 95912-175 | 95912-175 | Screw, Cap | 2 |
| 22 | 104963-000 | 104963-000 | 104963-000 | 108528-000 | Base, Filter | 1 |
| 23 | 25090-006 | 25090-006 | 25090-006 | 25090-006 | Plug/O-ring S/A | 2 |
| | 8785-006 | 8785-006 | 8785-006 | 8785-006 | O-ring | 2 |
| | 104312-000 | 104312-000 | 104312-000 | 104312-000 | Diagnostic Receptacle S/A (Optional) | 1 |
| | 8785-006 | 8785-006 | 8785-006 | 8785-006 | O-ring | 1 |
| | 104515-000 | 104515-000 | 104515-000 | 104515-000 | Dust Cover | 1 |
| 24 | 8761-115 | 8761-115 | 8761-115 | 8761-115 | O-ring | 2 |
| 25 | | | | 107018-000 | Spacer | 1 |
| 26 | | 104166-158 | | 104166-158 | O-ring | 1 |
| 27 | | | | 106926-000 | Washer | 4 |

*Wet B-Pad Cover (Ref. No. 12) for Pressure Side Filter is 108527-000.

Charge Pump Kits

Notes: _____

Heavy Duty Hydrostatic Pumps

Charge Pumps

Eaton Corporation
Hydraulics Division
15151 Hwy. 5
Eden Prairie, MN 55344
Telephone: 612/937-7254
Fax: 612/937-7130

Sumitomo Eaton
Hydraulic Company Ltd.
Ooi-Cho Kameoka-Shi
621-0017 Kyoto
Japan
Telephone: [+81] 771-22-9601
Fax: [+81] 771-29-2020

Eaton Ltd.
Hydraulics Division
Glenrothes, Fife
Scotland, KY7 4NW
Telephone: [+44] (0)1592-771-771
Fax: [+44] (0)1592-773-184

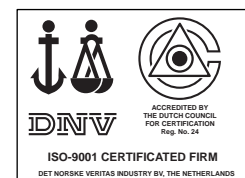
Eaton Ltd.
7th Floor, Woo Duk Building
832-2 Yeoksam-Dong, Kangnam-Ku
Soeul 135-750
Korea
Telephone: [+82] 2-557-0595
Fax: [+82] 2-557-1634

Eaton B.V.
Boeing Avenue 11
1119 PC Schiphol-Rijk
The Netherlands
Telephone: [+31] (0)20-655 6776
Fax: [+31] (0)20-655 6800

Eaton Hydraulics (Shanghai) Co. Ltd.
388 Aidu Road, Waigaogiao FTZ
Pudong New Area
Shanghai 200137
Peoples Republic of China
Telephone: [+86] 21-5046 0758
Fax: [+86] 21-5046 0767

Sumitomo Eaton Hydraulic Co.
8 Temasek Blvd.
42-01 Suntec Tower Three
Singapore 03988
Telephone: [+65] 832-7727
Fax: [+65] 832-7733

Jining Eaton Hydraulic Co. Ltd.
6 Ji Da Road
Jining City
Shandong Province 272131
Peoples Republic of China
Telephone: [+86] 537-2221288
Fax: [+86] 537-2221557



Quality System Certified
Products in this catalog are manufactured
in an ISO-9001-certified site.

www.eatonhydraulics.com

Copyright Eaton Corporation, 1987, 1991 and 1999
All Rights Reserved
Printed in USA

Form No. 6-610

EAT•N