

DynaPower Generation II

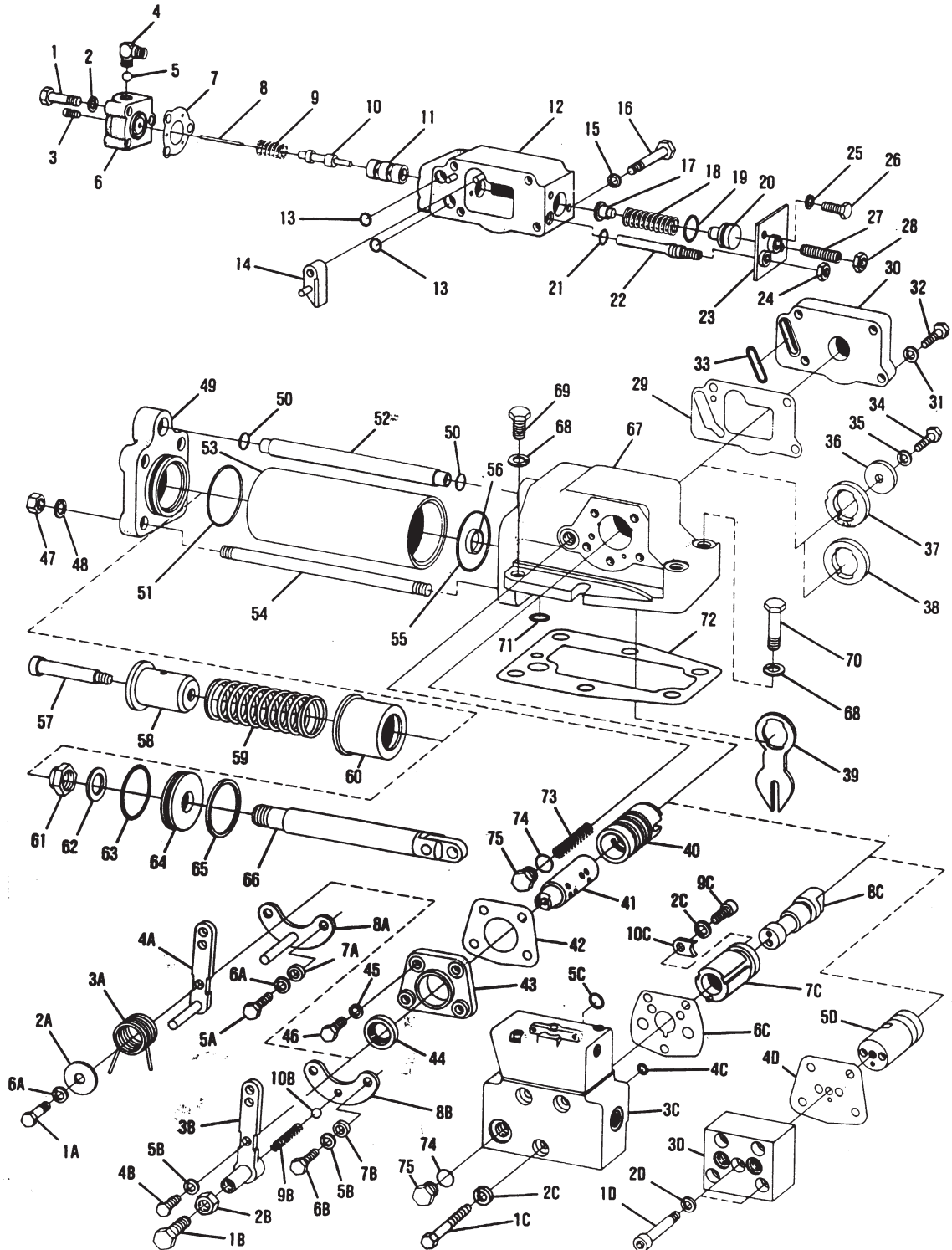
Return to
DYNAPOWER index

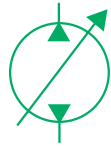
Return to
MAIN index





DYNAPOWER MODEL 66 MODULAR CONTROLS PARTS DRAWING





DYNAPOWER



DYNAPOWER MODEL 66 MODULAR CONTROLS

REF. NO.	PART NO.	REQ. NO.	DESCRIPTION
1	870210	3	Hex Bolt
2	870480	3	Washer
3	872943	1	Pipe Plug
4	840602	2	Elbow Fitting
5	872523	1	Shuttle Ball
6	Part "D"	1	Sense Cap
7	840274	1	Gasket
8	Part "C"	1	Sense Pin
9	841029	1	Spring
10	842284	1	Spool
11	842674	1	Sleeve
12	842275	1	Housing Assy.
13	871110	2	O` Ring
14	830495	1	Cam Follower
15	870480	4	Washer
16	870260	4	Hex Bolt
17	870206	1	Spring Retainer
18	Part "B"	1	Spring
19	871117	1	O` Ring
20	840731	1	Spring Seat
21	871010	1	O` Ring
22	842289	1	Pressure Adj. Screw
23	830544	1	End Plate
24	871083	1	Lock Nut
25	870480	2	Washer
26	870140	2	Hex Bolt
27	872364	1	Torque Limit Adj. Screw
28	871087	1	Lock Nut
29	872875	1	Gasket
30	842328	1	Cover
31	870480	4	Washer
32	870180	4	Hex Bolt
33	871121	1	O` Ring
34	870150	1	Hex Bolt
35	870480	1	Washer
36	842287	1	Washer
37	Part "A"	1	Torque Limit Cam
38	842456	1	Space Used With LPS
39	842485	1	Feed Back Lever
40	842285	1	Valve Sleeve
41	842281	1	Valve Spool
42	872884	1	Gasket
43	830028	1	Seal Plate Assy. Includes Item #44
44	870115	1	Seal



DYNAPOWER MODEL 66 MODULAR CONTROLS

REF. NO.	PART NO.	REQ. NO	DESCRIPTION
45	870480	4	Washer
46	870170	2	Hex Bolt
47	870562	4	Hex Nut
48	870491	4	Washer
49	842486	1	Cover
50	871011	2	O` Ring
51	871135	1	O` Ring
52	842484	1	Transfer Tube
53	841919	1	Control Cylinder
54	872942	4	Stud
55	871137	1	O` Ring
56	871297	1	Glide Ring
57	842523	1	Shoulder Bolt
58	841917	1	Spring Seat
59	840667	1	Spring
60	841918	1	Spring Seat
61	872794	1	Nut
62	840665	1	Washer
63	871129	1	O` Ring
64	840297	1	Piston
65	871294	1	Expanded Ring
66	830262	1	Control Rod Assy.
67	842460	1	Control Housing Assy.
68	870480	6	Washer
69	870160	4	Hex Bolt
70	870250	2	Hex Bolt
71	871011	1	O` Ring
72	840058	1	Gasket
73	872873	1	Spring
74	871904	1	O` Ring
75	840146	1	Plug
	842804	1	Orifice .035
	842806	1	Orifice .042
	842803	1	Orifice .052
	842805	1	Orifice .062

Model 66 packing kit Includes Item Numbers

894468 | 7,13,19,21,33,42,44,50,51,55,56,63,65,71,72,74,
also 4C, 5C, 6 C for electro hydraulic act. & 4D for 2 speed

894478 | Model 66 seal kit
42, 43, 44



DYNAPOWER



DYNAPOWER MODEL 66 & 99 ACTUATORS FOR ALL MODULAR CONTROLS

REF. NO.	PART NO.	REQ. NO	DESCRIPTION
SCISSOR SPRING KIT NO. 894434			
1A	870220	1	HEX BOLT
2A	842465	1	POST
3A	841783	1	SPRING
4A	872933	1	LEVER
5A	870190	2	HEX BOLT
6A	870480	3	WASHER
7A	842478	2	STOP
8A	850091	1	DETENT PLATE
ADJUSTABLE DETENT KIT NO. 894479			
1B	871292	1	HEX BOLT ADJ.
2B	871089	1	LOCK NUT
3B	830542	1	LEVER
4B	870140	1	HEX BOLT ADJ.
5B	870480	1	WASHER
6B	870170	3	HEX BOLT
7B	840293	2	STOP
8B	840295	1	DETENT PLATE
9B	840878	1	SPRING
10B	872307	1	DETENT BALL
ELECTRO-HYDRAULIC KIT NO. 894435			
1C	870240	3	HEX BOLT
2C	870480	4	WASHER
3C	873312	1	MOOG CONTROLLER
4C	871011	2	O'RING
5C	871113	1	O'RING
6C	842300	1	GASKET
7C	842487	1	SLEEVE
8C	842488	1	SPOOL
9C	870320	1	ALLEN BOLT
10C	872943	1	RETAINER
TWO-SPEED KIT NO. 894436			
1D	870400	5	ALLEN BOLT
2D	870480	5	WASHER
3D	842490	1	FEED BLOCK
4D	872941	1	GASKET
5D	842489	1	SPOOL



DYNAPOWER TORQUE LIMITING MODULAR CONTROLS ALL SIZES									
TORQUE LIMITS (FT. LB.) PER UNIT SIZE						PART LETTER			
3.5 CIR	4.8 CIR	6.0 CIR	9.0 CIR	12.0 CIR	21.0 CIR	"A" CAM	"B" SPRING	"C" PIN	"D" CAP
33	45	56	84	112	196	842302	842457	840705	840704
35	48	60	90	120	210	842302	842457	840701	840700
38	52	65	97	129	226	842302	842457	840697	840698
44	60	75	113	150	263	842302	842457	871048	840568
49	67	84	126	168	293	842349	840696	840705	840704
53	72	90	135	180	314	842349	840696	840701	840700
57	78	97	145	194	339	842349	840696	840697	840698
66	90	113	169	225	394	842349	840696	871048	840568
82	112	140	210	280	490	842350	842433	840705	840704
88	120	150	225	300	525	842350	842433	840701	840700
94	129	161	242	323	565	842350	842433	840697	840698
110	150	188	281	375	656	842350	842433	871048	840568
123	168	210	315	420	735	842351	842458	840705	840704
131	180	225	338	450	788	842351	842458	840701	840700
141	194	242	363	484	847	842351	842458	840697	840698
164	225	281	422	563	985	842351	842458	871048	840568
SHORT DIFFERENTIAL PRESSURE COMPENSATOR ALL SIZE MODULAR CONTROLS "AO"						"A" CAM	"B" SPRING	"C" PIN	"D" CAP
						842456	840696	840705	840704

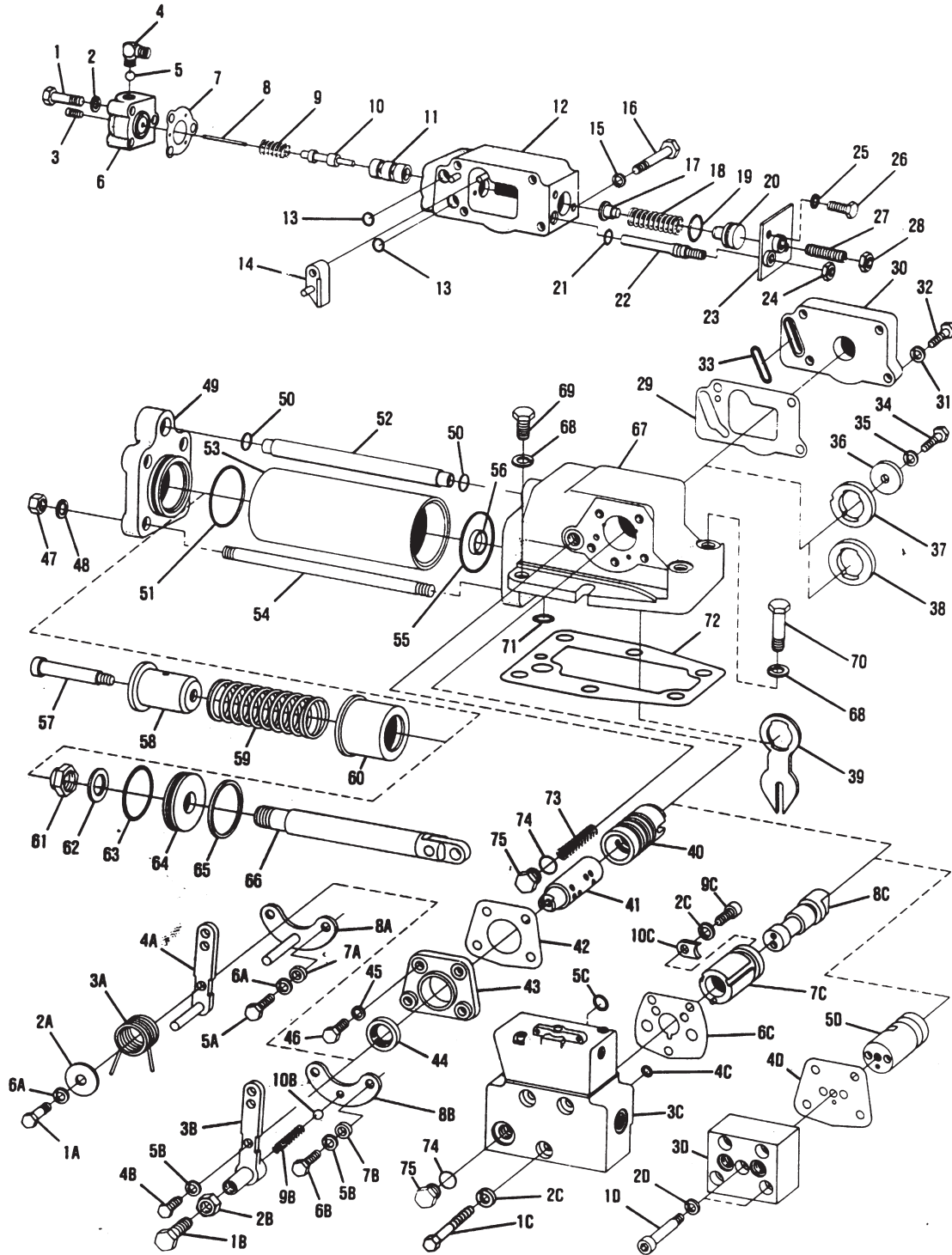
DYNAPOWER TORQUE LIMITING MODULAR CONTROLS ALL SIZES							
TORQUE LIMITS (FT. LB.) PER UNIT SIZE						PRE-ASSEMBLED OVERRIDE BODY KIT	
3.5 CIR	4.8 CIR	6.0 CIR	9.0 CIR	12.0 CIR	21.0 CIR	Part No.	Stamped
33	45	56	84	112	196	894450	AA
35	48	60	90	120	210	894451	BA
38	52	65	97	129	226	894452	CA
44	60	75	113	150	263	894453	DA
49	67	84	126	168	293	894454	AB
53	72	90	135	180	314	894455	BB
57	78	97	145	194	339	894456	CB
66	90	113	169	225	394	894457	DB
82	112	140	210	280	490	894458	AC
88	120	150	225	300	525	894459	BC
94	129	161	242	323	565	894460	CC
110	150	188	281	375	656	894461	DC
123	168	210	315	420	735	894462	AD
131	180	225	338	450	788	894463	BD
141	194	242	363	484	847	894464	CD
164	225	281	422	563	985	894465	DD



DYNAPOWER



DYNAPOWER MODEL 99 MODULAR CONTROLS PARTS DRAWING





DYNAPOWER MODEL 99 MODULAR CONTROLS

REF. NO.	PART NO.	REQ. NO.	DESCRIPTION
1	870210	3	Hex Bolt
2	870480	3	Washer
3	872943	1	Pipe Plug
4	840602	2	Elbow Fitting
5	872523	1	Shuttle Ball
6	Part "D"	1	Sense Cap
7	840274	1	Gasket
8	Part "C"	1	Sense Pin
9	841029	1	Spring
10	842284	1	Spool
11	842674	1	Sleeve
12	842275	1	Housing Assy.
13	871110	2	O` Ring
14	830495	1	Cam Follower
15	870480	4	Washer
16	870260	4	Hex Bolt
17	870206	1	Spring Retainer
18	Part "B"	1	Spring
19	871117	1	O` Ring
20	840731	1	Spring Seat
21	871010	1	O` Ring
22	842289	1	Pressure Adj. Screw
23	830544	1	End Plate
24	871083	1	Lock Nut
25	870480	2	Washer
26	870140	2	Hex Bolt
27	872364	1	Torque Limit Adj. Screw
28	871087	1	Lock Nut
29	872875	1	Gasket
30	842328	1	Cover
31	870480	4	Washer
32	870180	4	Hex Bolt
33	871121	1	O` Ring
34	870150	1	Hex Bolt
35	870480	1	Washer
36	842287	1	Washer
37	Part "A"	1	Torque Limit Cam
38	842456	1	Space Used With LPS
39	842283	1	Feed Back Lever
40	842285	1	Valve Sleeve
41	842281	1	Valve Spool
42	872884	1	Gasket
43	830028	1	Seal Plate Assy. Includes Item #44



DYNAPOWER



DYNAPOWER MODEL 99 MODULAR CONTROLS

REF. NO.	PART NO.	REQ. NO.	DESCRIPTION
44	870115	1	Seal
45	870480	4	Washer
46	870170	2	Hex Bolt
47	870562	4	Hex Nut
48	870491	4	Washer
49	842279	1	Cover
50	871013	2	O` Ring
51	871144	1	O` Ring
52	842292	1	Transfer Tube
53	841975	1	Control Cylinder
54	842022	4	Stud
55	871145	1	O` Ring
56	871295	1	Glide Ring
57	842561	1	Shoulder Bolt
58	840923	1	Spring Seat
59	840921	1	Spring
60	842282	1	Spring Seat
61	872901	1	Nut
62	842341	1	Washer
63	871137	1	O` Ring
64	842335	1	Piston
65	871296	1	Expanded Ring
66	830546	1	Control Rod Assy.
67	842274	1	Control Housing Assy.
68	870492	6	Washer
69	870174	4	Hex Bolt
70	870244	2	Hex Bolt
71	871013	1	O` Ring
72	841445	1	Gasket
73	872873	1	Spring
74	871904	1	O` Ring
75	840146	1	Plug
	842804		Orifice .035
	842806		Orifice .042
	842803		Orifice .052
	842805		Orifice .062
PART NO.	DESCRIPTION		
894469	7,13,19,21,33,42,44,50,51,56,63,65,71,72,74 also 4C, 5C, 6 C for electro hydraulic act. & 4D for 2 speed		
894478	42, 43, 44		



DYNAPOWER

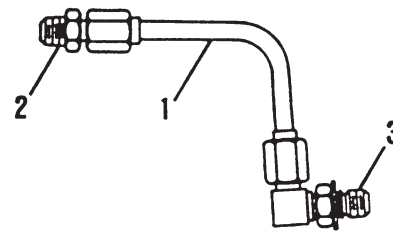
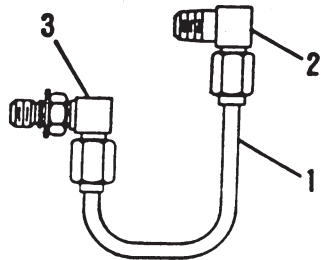


PRESSURE SENSE LINES

MODEL	ITEM 1 LEFT HAND	ITEM 1 RIGHT HAND	ITEM 2 1/8" VALVE SEAT FITTING"	ITEM 3 1/4" O.D. TUBE PORT
3.5	830621	830630	840602	870610
4.83	830621	830630	840602	870610
6	830621	830630	840602	870610
9	830579	830578	841818	870610
12	830631	830632	840602	870610
21	*830633	*830634	840602	870610

*NOTE THESE ARE HOSE ASSEMBLIES - NOT TUBES ASSEMBLIES

DYNAPOWER LEFT HAND TUBE ASSEMBLIES



DYNAPOWER RIGHT HAND TUBE ASSEMBLIES

