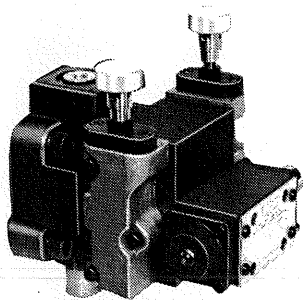


RACINE®

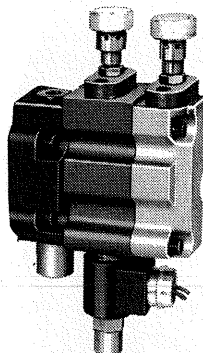
BOSCH Group

AIR PARTS

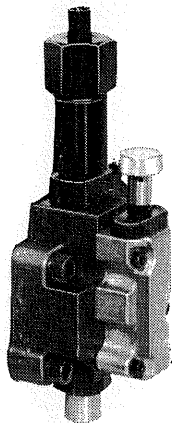
**MODEL SV
PUMP CONTROLS
-51 THRU -63 DESIGN**



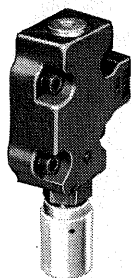
**HYDRAULIC
TWO PRESSURE**



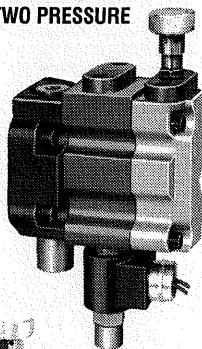
**SOLENOID
TWO PRESSURE**



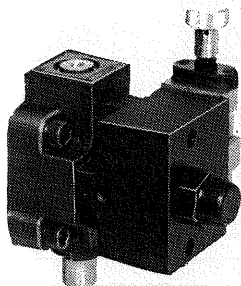
LOAD SENSING



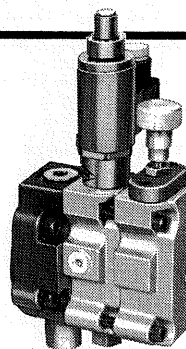
SINGLE STAGE



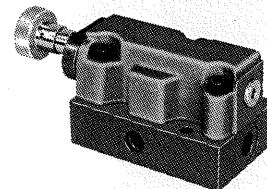
**SOLENOID
VENT**



TORQUE LIMITING



PROPORTIONAL



REMOTE CONTROL

WHEN ORDERING PARTS, FURNISH:

1. COMPLETE CODE NUMBER & DESIGN DIGIT
2. PARTS REQUIRED
3. SHIPPING INSTRUCTIONS

WRITE FACTORY FOR NEAREST AUTHORIZED
PARTS AND SERVICE CENTER.

PSV-PN -10H** -63**

DESIGN DIGIT

SOLENOID TWO PRESSURE CHANGE

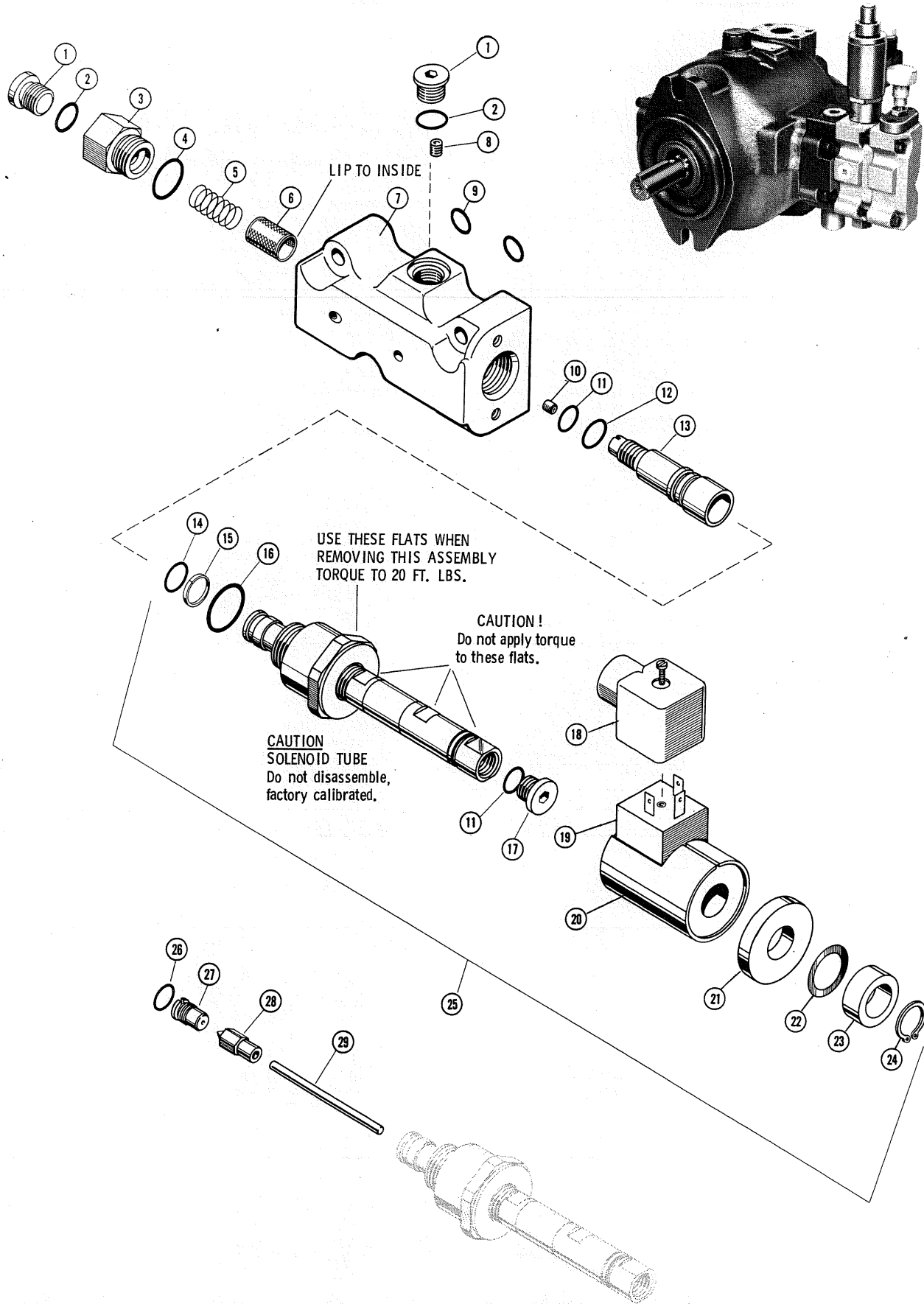
N - NO VOLUME CONTROL
S - SCREW VOLUME CONTROL

CONTROL OPTIONS

- E - ELECTRO-HYD. PROPORTIONAL CONTROL
- H - SOLENOID TWO-PRESSURE NORMALLY HIGH,
(ENERGIZE FOR LOW PRESSURE)
- J - HYDRAULIC TWO-PRESSURE NORMALLY LOW,
(PILOT FOR HIGH PRESSURE)
- K - SINGLE STAGE COMPENSATOR
- L - LOAD SENSING FLOW CONTROL
- P - STD. COMPENSATOR (SEE SEPARATE BULLETIN)
- S - SOLENOID TWO-PRESSURE NORMALLY LOW,
(ENERGIZE FOR HIGH PRESSURE)
- T - TORQUE LIMITING
- V - SOLENOID VENT NORMALLY LOW,
(ENERGIZE FOR HIGH PRESSURE)

- D - 750 PSI
- E - 1000 PSI
- G - 1500 PSI
- H - 2000 PSI
- J - 2500 PSI
- K - 3000 PSI
- 10 - SV- 10 PUMP
- 15 - SV- 15 PUMP
- 20 - SV- 20 PUMP
- 25 - SV- 25 PUMP
- 40 - SV- 40 PUMP
- 80 - SV- 80 PUMP
- 100 - SV-100 PUMP

ELECTRO-HYD PROPORTIONAL



PROPORTIONAL PRESSURE CONTROL

Ref. No.	Part No.	Description	Qty.
1	406618	Plug, #4 SAE	2
2	406879	O-ring, #4 SAE (-904)	1
3	309116	Plug	1
4	406196	O-ring, 1/16 x 9/16 x 11/16 (-015)	1
5	492569	Spring	1
6	492623	Screen	1
7	223044	Body	1
8	400888	Plug 10-32 x 1/4	1
9	406797	O-ring, 1/16 x 5/16 x 7/16 (-011)	2
10	309185	Orifice	1
11	407123	O-ring, #3 SAE (-903)	2
12	406565	O-ring, 7/16 x 9/16 x 1/16 (-013)	1
13	309237	Adapter Tube	1
14	406269	O-ring, 1/16 x 3/8 x 1/2 (-012)	3
15	408846	Back-up Ring (-012)	1
16	407139	O-ring, #8 SAE (-908)	1
17	492583	Plug, #3 SAE	1
18	951923	Connector, Compression Fitting DIN 43650	1
19	494133	Coil 12V	1
20	494138	Cover	1
21	355912	End Cover	1
22	492653	Washer	1
23	309228	Spacer	1
24	408135	Snap Ring	1
25	956188	Assembly	1
26	407126	O-ring	1
27	309234	Poppet seat	1
28	309233	Poppet	1
29	309236	Push pin	1

BOLT KIT PROPORTIONAL CONTROL

Bolt Kit	Part No.	Description	Socket Head Cap Screw No.
B-190	953685	Socket Head Cap Screw 1/4 - 20 x 2-3/4	405996

Kit will mount one proportional control and one manual control.